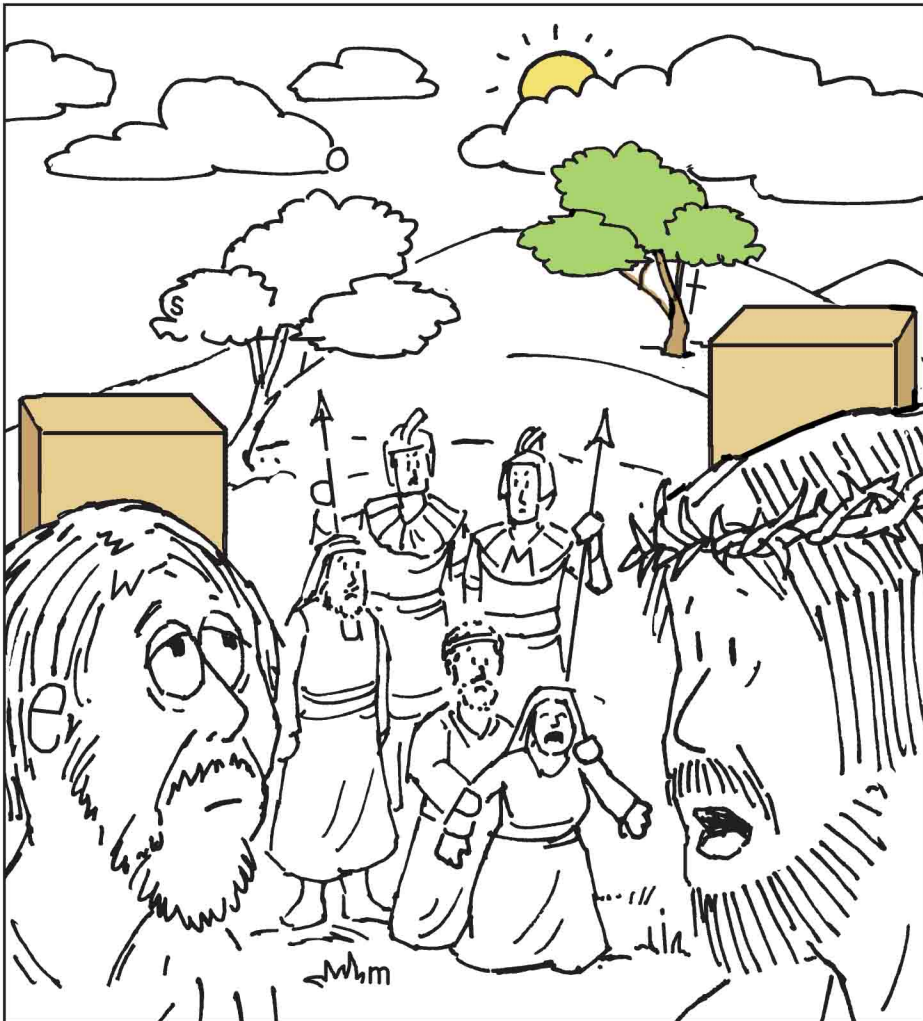


Then he said, "Jesus, remember me when You come into Your kingdom."

Find the underlined letters hidden in the picture.

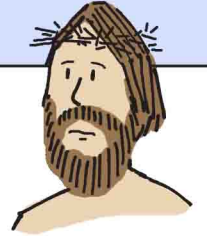
Jesus answered him, "Truly I tell you, today you will be with Me in paradise."



Christ, the King

Jesus was on the cross.

Use the code to fill in the blanks.



The stood

and the

even

at Him. ... The

also came up and Him.

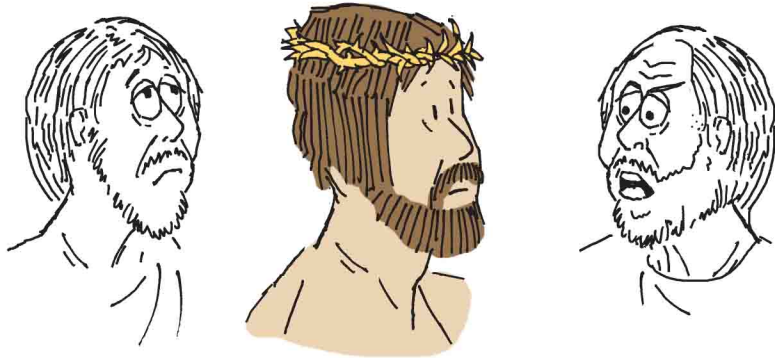
● ● ●	● ● ●	● ● ●
A B C	D E F	G H I
● ● ●	● ● ●	● ● ●
J K L	M N O	P Q R
● ● ●	● ● ●	● ●
S T U	V W X	Y Z

Thank you for worshipping with us!

Saint Jane Frances de Chantal Church
 9601 Old Georgetown Road
 Bethesda, Maryland 20814
www.stjanedechantal.org

Two criminals were crucified with Jesus.

Unscramble the letters and fill in the blanks. Then write the circled letters in order to fill in the blanks of the final missing word.



One of the _____

M N I S R C I L A

who hung there _____

U H D R E L

L N I S U S T

at _____ He _____,

H M I

D S I A

"Aren't You _____"

H T E

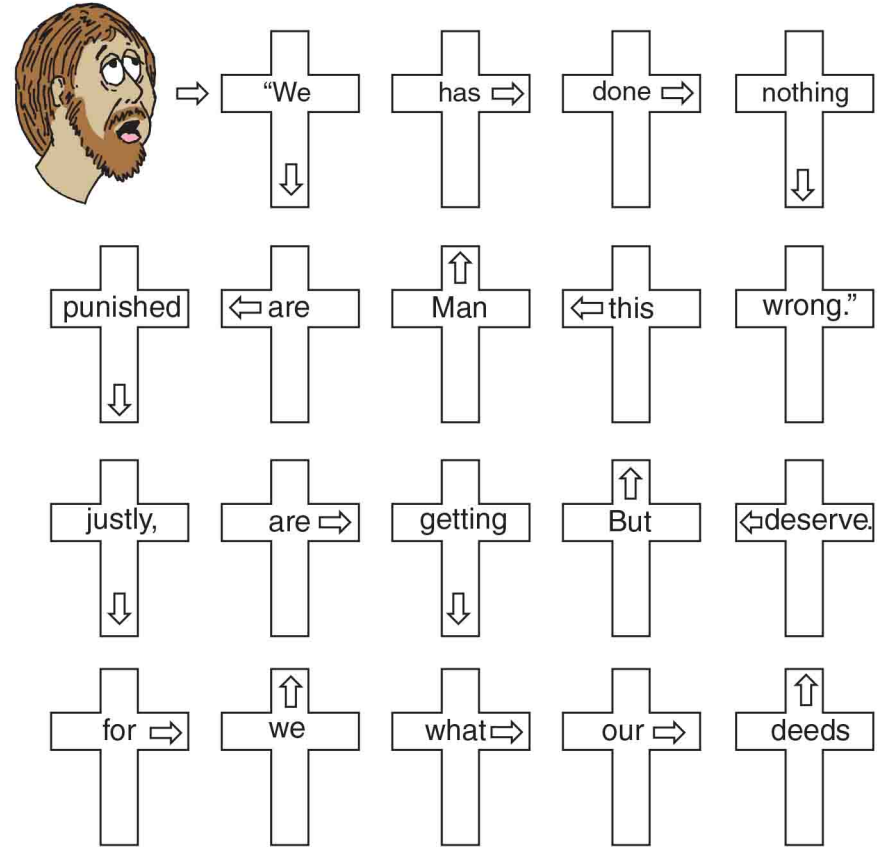
_____ ?

Save Yourself and us!"

But the other criminal rebuked him.

"Don't you fear God," he said, "since you are under the same sentence?"

Starting in the top left corner, follow the arrows on the crosses to find what else the second criminal said. Transfer the words to the lines below.



_____ ,

 _____ .

 _____ .